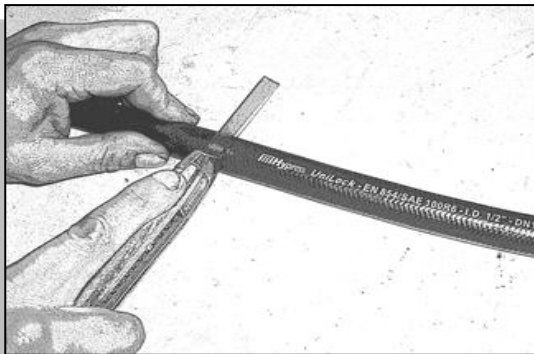


Unilock - Istruzioni di assemblaggio

Unilock - Assembly Instructions



Tagliare il tubo ad angolo retto con un coltello affilato. Se occorre, lubrificare (soluzione al 5% di sapone e 95% di acqua).

Cut the hose right angled with a sharp knife. If necessary it is possible to use a lubricant (water/soap solution with 5 % soap fluid and 95 % water) for easy assembly.



Inserire i raccordi nel tubo fino alla prima sporgenza. Appoggiare di piatto l'estremità del raccordo su una superficie piana (panca, porta o parete) e, impugnando il tubo a circa due centimetri dall'estremità, spingere fino a coprire con il collare di plastica rosso tutta l'estremità del tubo.

Insert fitting into hose until first barb is in hose. Place end of fitting against a flat object (bench, door, wall) and grip hose approximately at 2 centimetres from end and push with a steady force until end of hose is covered by red plastic collar.

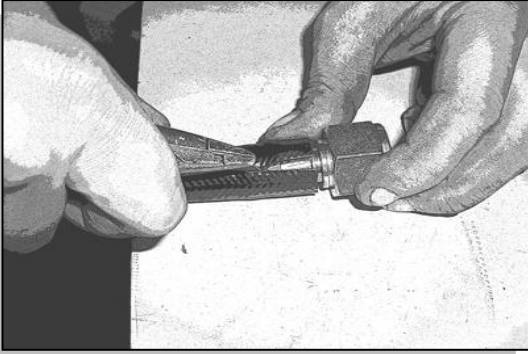


Durante l'assemblaggio, ricordare che i raccordi UniLock possono essere utilizzati solo dopo l'inserimento completo, ovvero quando l'estremità tagliata è completamente nascosta dal collare in plastica.

During assembly, please remind that UniLock fittings can be used just after a fully insertion, where the cutted end of the hose is completely concealed by the plastic collar.

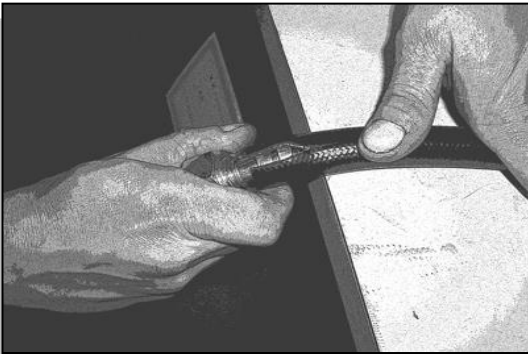
Unilock - Istruzioni di smontaggio

Unilock - Disassembly Instructions



Praticare un taglio longitudinale di circa 2 cm con un'angolazione di 20 gradi rispetto alla linea centrale di tubo. Fare attenzione a non tagliare le sporgenze o gli intagli dell'inserto.

Cut lengthwise along a line around 2 centimetres with a 20° angle from the centre line of hose. Be careful not to nick fitting's barbs when cutting the hose.



Impugnare il tubo e dare uno strattone deciso verso il basso per liberarlo dal raccordo.

Grip hose and give a sharp down-ward tug to get the fitting free.



Prima di riutilizzare l'inserto, controllare che non sia danneggiato, per evitare possibile perdite.

Before re-use the fitting please check any damage sources. Damaged nipples can cause leakage.



Raccordi bassa pressione / Low pressure fittings

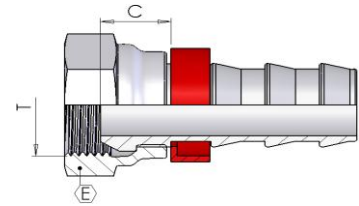
Pagina / Page		2	2	2				
UniLock								
		535	535	535				
		Femmina BSP cono 60° - Curva 90° BSP cono 60° - UniLock		Maschio BSP svas. 60° - UniLock				
Pagina / Page		3	4	5		5		
Ferrule Boccola				BSP Male				
		536	537			546	546	
		Boccola in Alluminio Aluminium ferrule	Boccola in Acciaio Steel ferrule			Maschio BSP - Sede Piana	Maschio BSP svas. 60°	
Pagina / Page		6	7	8	9	9		
BSP Female								
		540	542	542	540	542		
		Femmina BSP cono 60°	Curva 90° BSP cono 60°	Curva 45° BSP cono 60°	Femmina BSP Sede Piana	Curva 90° BSP Sede Piana		
Pagina / Page		10	10		11	11		
Metric Male			Metric Female					
		546			540	542	542	
		Maschio Metrico Svas.60°			Femmina Metrica Cono 60°	Curva Metrica 90° cono 60°	Curva Metrica 45° cono 60°	
Pagina / Page		12	12					
Banjo Occhio								
		548	548					
		Occhio a Pressare Metrico	Occhio a Pressare BSP					

Dimensions and general characteristics may be changed at any time without prior notice.

Data contained herein are for information purpose only, and it does not enlarge, amend or imply any warranty other than provided by us with the product
Any use of the product not in conformance with our instructions may be dangerous.

535 Femmina BSP cono 60° - UniLock

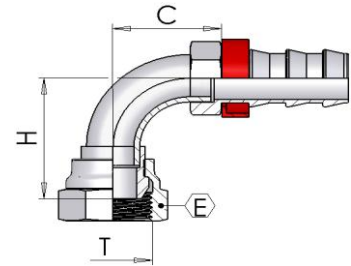
BSP Female 60° cone - UniLock



part number	hose I.D.		Dimension			
	in	mm	dash size	thread T	hex E	cut-off C
535FR6-04-04-IMM	1/4	6,4	04	1/4-19	17	10
535FR6-06-06-IMM	3/8	9,5	06	3/8-19	19	10
535FR6-08-08-IMM	1/2	12,7	08	1/2-14	27	13
535FR6-12-12-IMM	3/4	19	12	3/4-14	32	16
535FR6-16-16-IMM	1	25,4	16	1-11	38	15

535 Curva 90° BSP cono 60° - UniLock

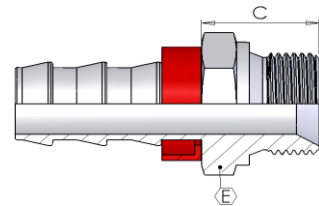
BSP 90° Swept elbow 60° cone - UniLock



part number	hose I.D.		Dimension				
	in	mm	dash size	thread T	hex E	drop H	cut-off C
535CR6-04-04-IMM	1/4	6,4	04	1/4-19	17	26	20
535CR6-06-06-IMM	3/8	9,5	06	3/8-19	19	28	21
535CR6-08-08-IMM	1/2	12,7	08	1/2-14	27	35	26
535CR6-12-12-IMM	3/4	19	12	3/4-14	32	46	37
535CR6-16-16-IMM	1	25,4	16	1-11	38	55	44

535 Maschio BSP svas. 60° - UniLock

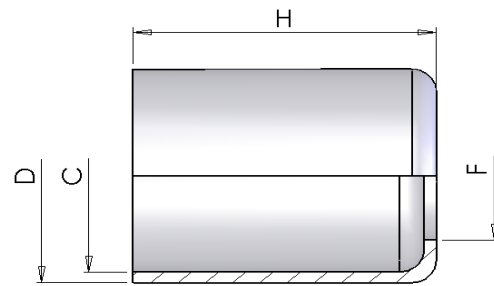
BSP Male Parallel 60° cone - UniLock



part number	hose I.D.		Dimension			
	in	mm	dash size	thread T	hex E	cut-off C
535MR-04-04-IMM	1/4	6,4	04	1/4-19	19	20
535MR-06-06-IMM	3/8	9,5	06	3/8-19	22	22
535MR-08-08-IMM	1/2	12,7	08	1/2-14	27	25
535MR-12-12-IMM	3/4	19	12	3/4-14	32	27
535MR-16-16-IMM	1	25,4	16	1-11	41	30

536 Boccola in Alluminio

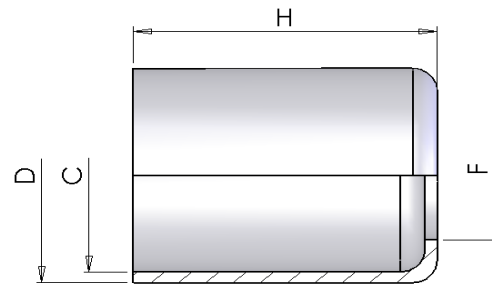
Aluminium ferrule



part number	Dimensions				
	D	C	F	H	
536GA11	13	11	8	19	
536GA-12	14	12	8	20	
536GA-13	15	13	9	21	
536GA-14	16	14	9	21	
536GA-15	17	15	11	23	
536GA-16	18	16	12	23	
536GA-17	19	17	12	23	
536GA-18	20	18	12	25	
536GA-19	21	19	15	25	
536GA-20	22	20	15	28	
536GA-21	23	21	15	28	
536GA-22	24	22	15	30	
536GA-23	25	23	15	30	
536GA-24	26	24	15	35	
536GA-26	28	26	20	35	
536GA-27	29	27	20	35	C
536GA-28	30	28	20	35	
536GA-30	32	30	21	35	
536GA-32	34	32	26	35	
536GA-34	36	34	27	38	
536GA-36	38	36	29	40	
536GA-38	40	38	29	40	
536GA-42	45	42	32	40	

537 **Boccola in Acciaio**

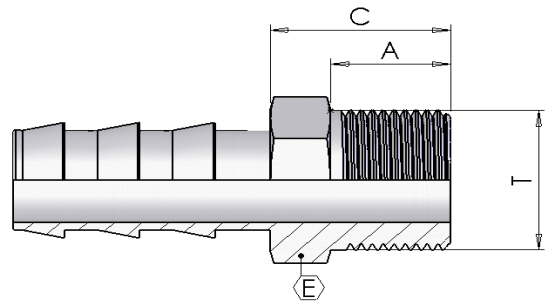
Steel ferrule



part number	Dimensions				
	D	C	F	H	
537GAZ-021	24	21	16	31	
537GAZ-022	25	22	16	31	
537GAZ-024	27	24	18	31	
537GAZ-027	30	27	20	34	
537GAZ-029	32	29	21	35	
537GAZ-032	35	32	22	36	
537GAZ-035	38	35	27	36	
537GAZ-037	40	37	28	38	
537GAZ-039	42	39	29	40	
537GAZ-042	45	42	30	42	
537GAZ-046	50	46	34	46	
537GAZ-048	52	48	35	46	
537GAZ-051	55	51	42	48	
537GAZ-056	60	56	43	50	
537GAZ-061	65	61	44	51	
537GAZ-065	70	65	53	54	C
537GAZ-070	75	70	55	56	
537GAZ-077	82	77	65	64	
537GAZ-080	85	80	68	64	
537GAZ-085	90	85	66	63	
537GAZ-095	100	95	79	68	
537GAZ-100	105	100	84	76	

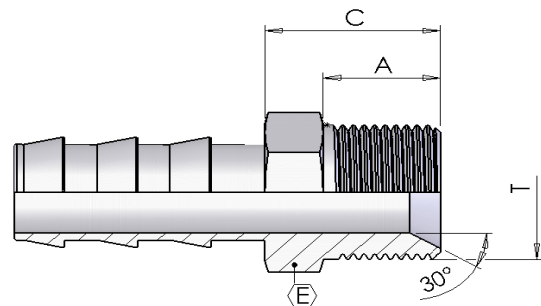
546 Maschio BSP -

BSP Male



part number	hose I.D.		Dimensions				
	in	mm	DN	thread T	cut off C	A	hex E
546MBP-02-06	1/4	6,4	06	1/8			14
546MBP-04-06	1/4	6,4	06	1/4			14
546MBP-04-08	5/16	7,9	08	1/4			14
546MBP-06-08	5/16	7,9	08	3/8			17
546MBP-04-10	3/8	9,5	10	1/4			17
546MBP-06-10	3/8	9,5	10	3/8			17
546MBP-08-10	3/8	9,5	10	1/2			22
546MBP-06-13	1/2	12,7	13	3/8			19
546MBP-08-13	1/2	12,7	13	1/2			22
546MBP-06-16	5/8	15,9	16	3/8			19
546MBP-08-16	5/8	15,9	16	1/2			22
546MBP-12-16	5/8	15,9	16	3/4			27
546MBP-08-19	3/4	19	19	1/2			24
546MBP-12-19	3/4	19	19	3/4			29
546MBP-16-19	3/4	19	19	1			34
546MBP-12-25	1	25,4	25	3/4			30
546MBP-16-25	1	25,4	25	1			43
546MBP-12-32	1.1/4	31,8	32	3/4			34
546MBP-16-32	1.1/4	31,8	32	1			36
546MBP-20-32	1.1/4	31,8	32	1.1/4			42
546MBP-20-38	1.1/2	38,1	38	1.1/4			42
546MBP-24-38	1.1/2	38,1	38	1.1/2			50
546MBP-32-50	2	50,8	50	2			60
546MBP-40-63	2.1/2	63,5	63	2.1/2			75

546 Maschio BSP

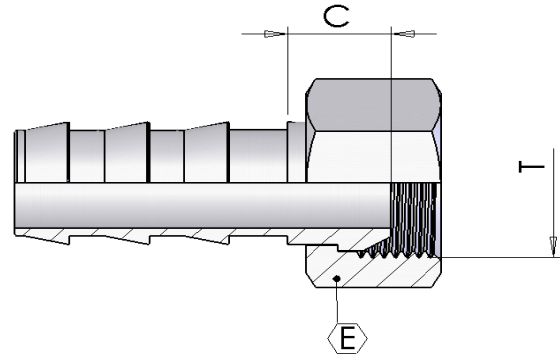


part number	hose I.D.		Dimensions				
	in	mm	DN	thread T	cut off C	A	hex E
546MBP-02-06	1/4	6,4	06	1/8			14
546MBP-04-06	1/4	6,4	06	1/4			19
546MBP-04-08	5/16	7,9	08	1/4			19
546MBP-04-10	3/8	9,5	10	1/4			19
546MBP-06-10	3/8	9,5	10	3/8			22

540

Femmina BSP cono 60°

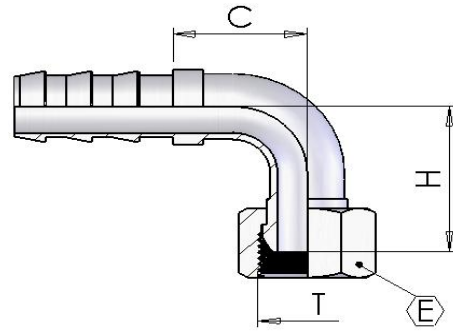
BSP Female 60° cone



part number	hose I.D.		Dimensions			
	in	mm	DN	thread T	cut off C	hex E
540FBP-03-02	3/16	4,8	05	1/8		
540FBP-04-02	1/4	6,4	06	1/8		
540FBP-04-04	1/4	6,4	06	1/4		
540FBP-05-04	5/16	7,9	08	1/4		
540FBP-05-06	5/16	7,9	08	3/8		
540FBP-06-06	3/8	9,5	10	3/8		
540FBP-06-08	3/8	9,5	10	1/2		
540FBP-08-06	1/2	12,7	13	3/8		
540FBP-08-08	1/2	12,7	13	1/2		
540FBP-10-08	5/8	15,9	16	1/2		
540FBP-10-12	5/8	15,9	16	3/4		
540FBP-12-12	3/4	19	19	3/4		
540FBP-12-16	3/4	19	19	1		
540FBP-16-16	1	25,4	25	1		
540FBP-20-20	1.1/4	31,8	32	1.1/4		
540FBP-20-24	1.1/4	31,8	32	1.1/2	C	C
540FBP-24-24	1.1/2	38,1	38	1.1/2		
540FBP-32-32	2	50,8	50	2		
540FBP-40-40	2.1/2	63,5	60	2.1/2		
540FBP-48-48	3	76,2	70	3		

542 Curva 90° BSP cono 60°

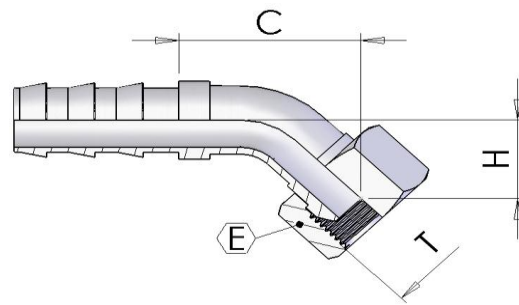
BSP 90° Swept elbow 60° cone



part number	hose I.D.		Dimensions				
	in	mm	DN	thread	cut off	drop	hex
				T	C	H	E
542CBP-04-04	1/4	6,4	06	1/4			
542CBP-05-04	5/16	7,9	08	1/4			
542CBP-05-06	5/16	7,9	08	3/8			
542CBP-06-06	3/8	9,5	10	3/8			
542CBP-06-08	3/8	9,5	10	1/2			
542CBP-08-06	1/2	12,7	13	3/8			
542CBP-08-08	1/2	12,7	13	1/2			
542CBP-08-12	1/2	12,7	13	3/4			
542CBP-10-08	5/8	15,9	16	1/2			
542CBP-10-12	5/8	15,9	16	3/4			
542CBP-12-12	3/4	19	19	3/4			
542CBP-12-16	3/4	19	19	1			
542CBP-16-12	1	25,4	25	3/4			
542CBP-16-16	1	25,4	25	1			
542CBP-16-20	1	25,4	25	1.1/4			
542CBP-20-20	1.1/4	31,8	32	1.1/4	C	C	C
542CBP-24-24	1.1/2	38,1	38	1.1/2			
542CBP-32-32	2	50,8	50	2			
542CBP-40-40	2.1/2	63,5	60	2.1/2			

542 Curva 45° BSP cono 60°

BSP 45° Swept elbow 60° cone



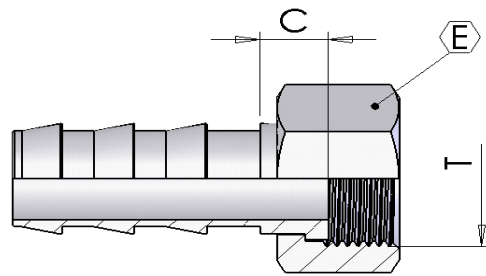
part number	hose I.D.		Dimensions				
	in	mm	DN	thread T	cut off C	drop H	hex E
542F45BP-04-04	1/4	6,4	06	1/4			
542F45BP-05-06	5/16	7,9	08	3/8			
542F45BP-06-06	3/8	9,5	10	3/8			
542F45BP-06-08	3/8	9,5	10	1/2			
542F45BP-08-06	1/2	12,7	13	3/8			
542F45BP-08-08	1/2	12,7	13	1/2			
542F45BP-10-12	5/8	15,9	16	3/4			
542F45BP-12-12	3/4	19	19	3/4			
542F45BP-12-16	3/4	19	19	1			
542F45BP-16-16	1	25,4	25	1			
542F45BP-20-20	1.1/4	31,8	32	1.1/4			
542F45BP-24-24	1.1/2	38,1	38	1.1/2			
542F45BP-32-32	2	50,8	50	2			

C

C

540 Femmina BSP Sede Piana

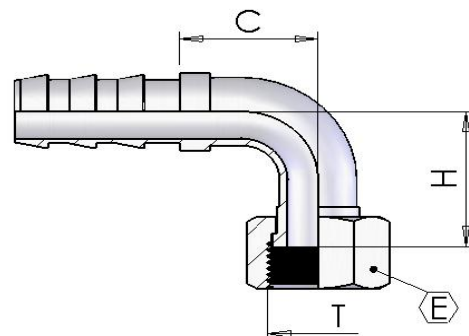
BSP Female Flat Seal



part number	hose I.D.		Dimensions			
			DN	thread	cut off	hex
	in	mm		T	C	E
540FBPSP-04-04	1/4	6,4	06	1/4		
540FBPSP-05-04	5/16	7,9	08	1/4		
540FBPSP-05-06	5/16	7,9	08	3/8		
540FBPSP-06-06	3/8	9,5	10	3/8		
540FBPSP-06-08	3/8	9,5	10	1/2		
540FBPSP-08-08	1/2	12,7	13	1/2		
540FBPSP-10-12	5/8	15,9	16	3/4		
540FBPSP-12-12	3/4	19	19	3/4		
540FBPSP-12-16	3/4	19	19	1		
540FBPSP-16-16	1	25,4	25	1		
540FBPSP-20-20	1.1/4	31,8	32	1.1/4		
540FBPSP-24-24	1.1/2	38,1	38	1.1/2		
540FBPSP-32-32	2	50,8	50	2		

542 Curva 90° BSP Sede Piana

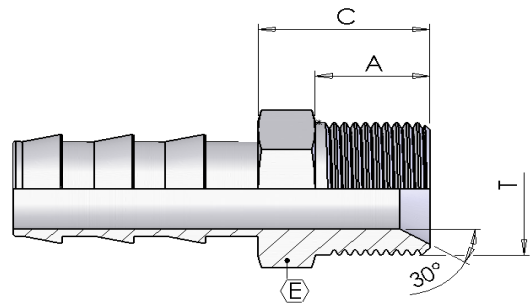
BSP 90° Swept elbow flat seat



part number	hose I.D.		Dimensions				
			DN	thread	cut off	drop	hex
	in	mm		T	C	H	E
542CBPSP-08-08	1/2	12,7	13	1/2			
542CBPSP-08-12	1/2	12,7	13	3/4			
542CBPSP-12-12	3/4	19	19	3/4			
542CBPSP-12-16	3/4	19	19	1			

546 Maschio Metrico Svas.60°

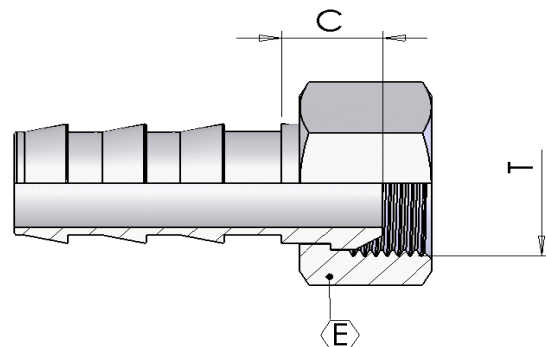
Metric Male 60° cone



part number	hose I.D.		Dimensions			
	in	mm	DN	thread	cut off	hex
				T	C	A
547MBPM-04-14	1/4	6,4	06	M14-1,5		19
547MBPM-05-14	5/16	7,9	08	M14-1,5		19
547MBPM-06-14	3/8	9,5	10	M14-1,5		19

540 Femmina Metrica Cono 60°

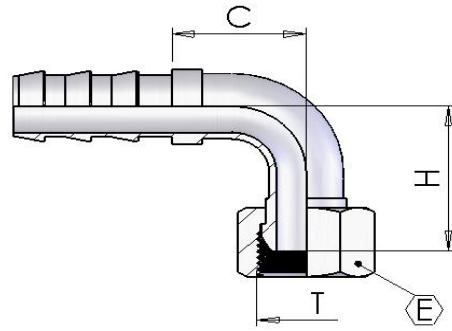
Metric Female 60° cone



part number	hose I.D.		Dimensions			
	in	mm	DN	thread	cut off	hex
				T	C	E
0100B03-10	3/16	4,8	05	M10-1		
0100B03-12	3/16	4,8	05	M12-1,5		
0100B04-12	1/4	6,4	06	M12-1,5		
0100B04-14	1/4	6,4	06	M14-1,5		
0100B05-14	5/16	7,9	08	M14-1,5		
0100B05-16	5/16	7,9	08	M16-1,5		
0100B06-18	3/8	9,5	10	M18-1,5		
0100B08-18	1/2	12,7	13	M18-1,5		
0100B08-22	1/2	12,7	13	M22-1,5		
0100B10-22	5/8	15,9	16	M22-1,5		
0100B10-26	5/8	15,9	16	M26-1,5		
0100B12-26	3/4	19	19	M26-1,5		

542 Curva Metrica 90° cono 60°

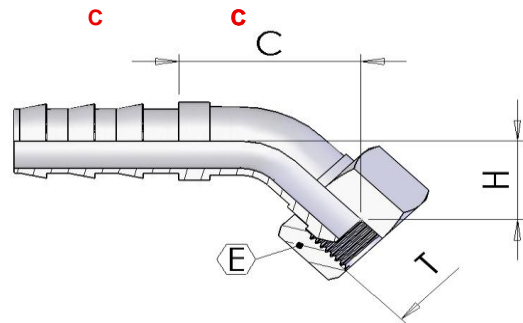
90° Metric Swept Elbow 60° cone



part number	hose I.D.		Dimensions				
	in	mm	DN	thread T	cut off C	drop H	hex E
0200B04-14	1/4	6,4	06	M14-1,5			
0200B05-16	5/16	7,9	08	M16-1,5			
0200B06-18	3/8	9,5	10	M18-1,5			
0200B08-22	1/2	12,7	13	M22-1,5			
0200B10-26	5/8	15,9	16	M26-1,5			
0200B12-26	3/4	19	19	M26-1,5			

542 Curva Metrica 45° cono 60°

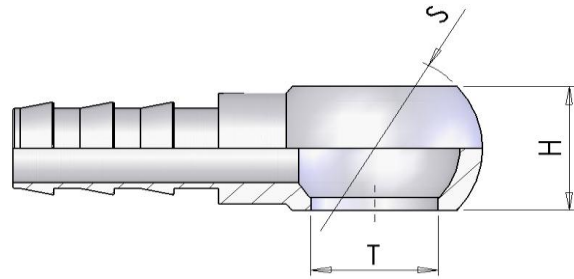
45° Metric Swept Elbow 60° cone



part number	hose I.D.		Dimensions				
	in	mm	DN	thread T	cut off C	drop H	hex E
0300B04-14	1/4	6,4	06	M14-1,5			
0300B05-16	5/16	7,9	08	M16-1,5			
0300B06-18	3/8	9,5	10	M18-1,5			
0300B08-18	1/2	12,7	13	M18-1,5			
0300B08-22	1/2	12,7	13	M22-1,5			
0300B10-26	5/8	15,9	16	M26-1,5			
0300B12-26	3/4	19	19	M26-1,5			

549 Occhio a Pressare Metrico

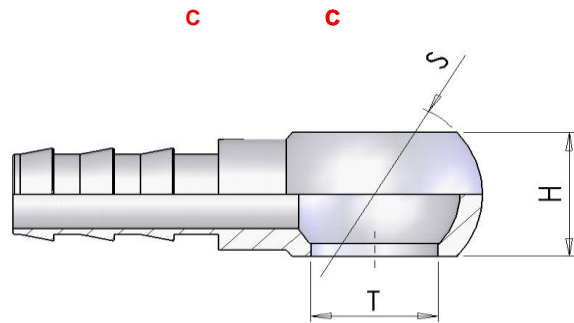
Metric Banjo



part number	hose I.D.		Dimensions			
	in	mm	DN	hole T	H	S
549OBPM-04-10	1/4	6,4	06	M10-1		
549OBPM-04-12	1/4	6,4	06	M12-1,5		
549OBPM-04-14	1/4	6,4	06	M14-1,5		
549OBPM-05-12	5/16	7,9	08	M12-1,5		
549OBPM-05-14	5/16	7,9	08	M14-1,5		
549OBPM-05-16	5/16	7,9	08	M16-1,5		
549OBPM-06-16	3/8	9,5	10	M16-1,5		
549OBPM-06-18	3/8	9,5	10	M18-1,5		
549OBPM-08-18	1/2	12,7	13	M18-1,5		
549OBPM-08-22	1/2	12,7	13	M22-1,5		
549OBPM-10-18	5/8	15,9	16	M18-1,5		

548 Occhio a Pressare BSP

BSP Banjo



part number	hose I.D.		Dimensions			
	in	mm	DN	hole T	H	S
548OBP-04-06	1/4	6,4	06	1/4		
548OBP-04-08	5/16	7,9	08	1/4		
548OBP-06-08	5/16	7,9	08	3/8		
548OBP-04-10	3/8	9,5	10	1/4		
548OBP-06-10	3/8	9,5	10	3/8		
548OBP-06-13	1/2	12,7	13	3/8		
548OBP-08-13	1/2	12,7	13	1/2		
548OBP-06-16	5/8	15,9	16	3/8		
548OBP-08-16	5/8	15,9	16	1/2		
548OBP-12-16	5/8	15,9	16	3/4		
548OBP-12-19	3/4	19	19	3/4		
548OBP-12-25	1	25,4	25	3/4		
548OBP-16-25	1	25,4	25	1		